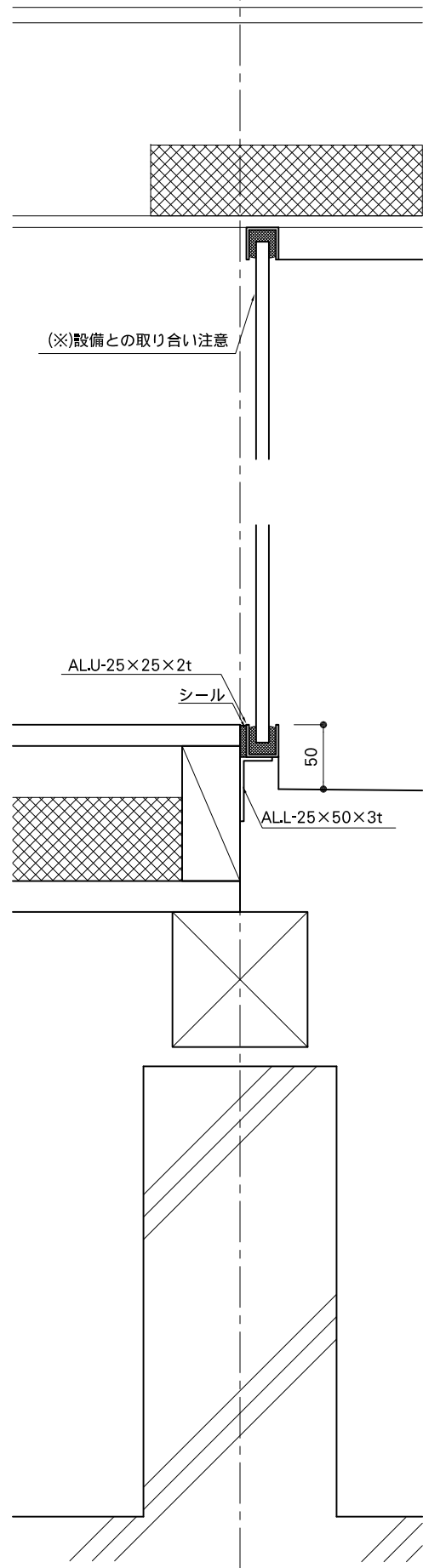
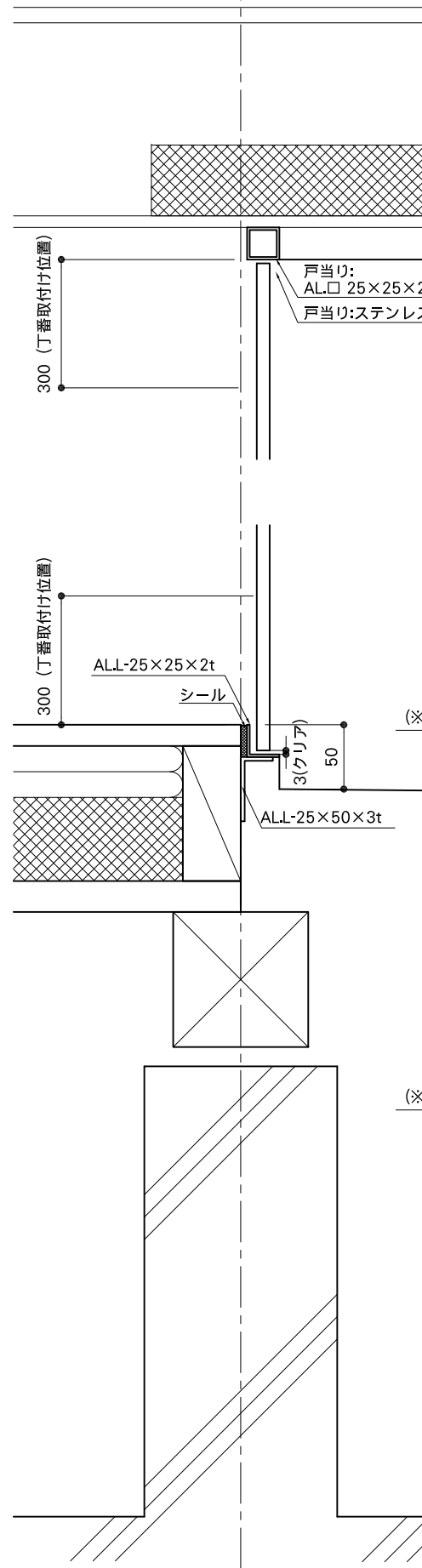


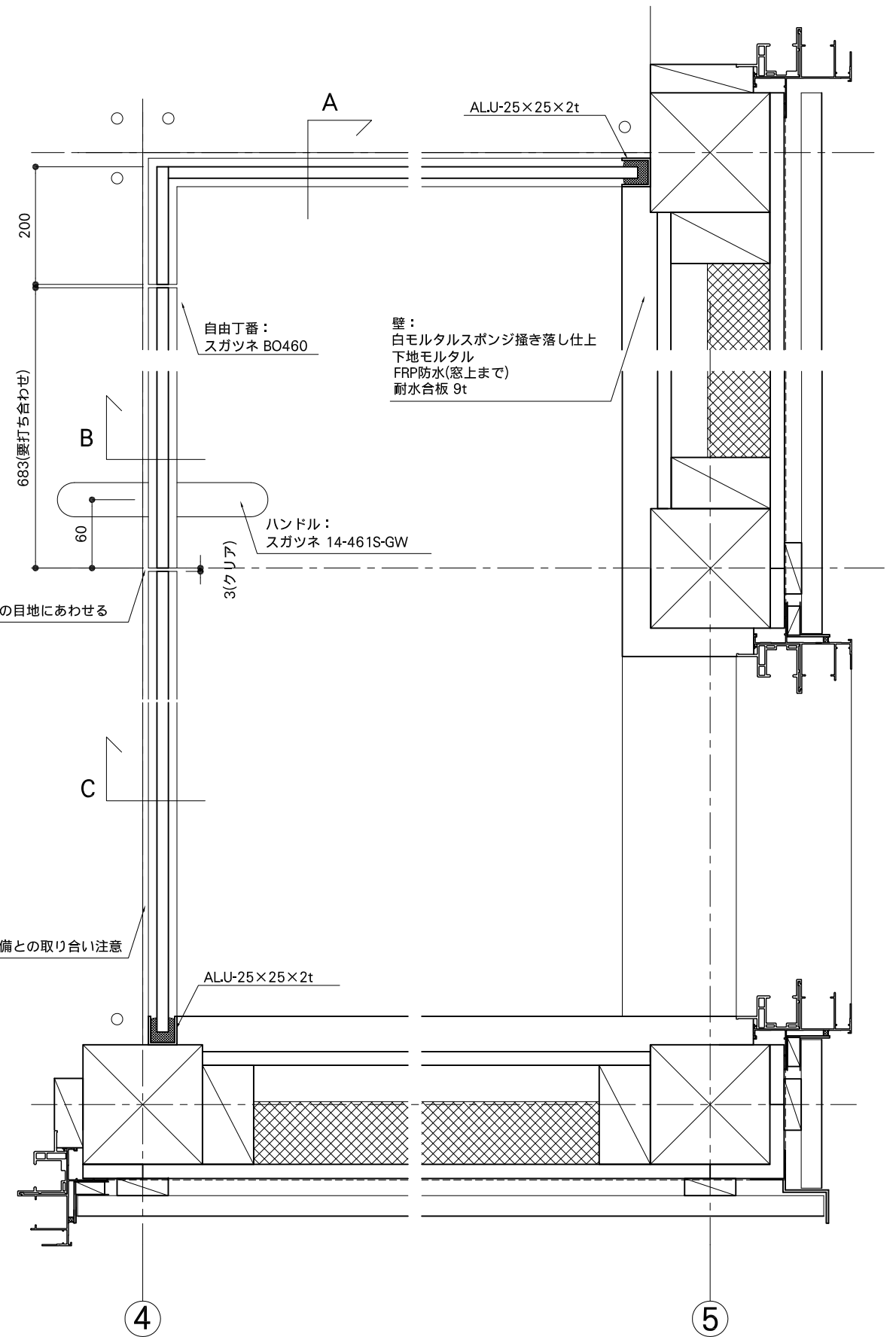
A断面



C断面



B断面



注) 寸法は現場で採寸のこと

PROJECT	GPLの家		Copyright (C) Levi / architecture License: GPL version 2 or (at your option) any later version		
DATE	2009.3.28	DRAWING TITLE	SCALE	NO	DRAWING BY
		浴室詳細図(3)	1/5	AD-59	njun